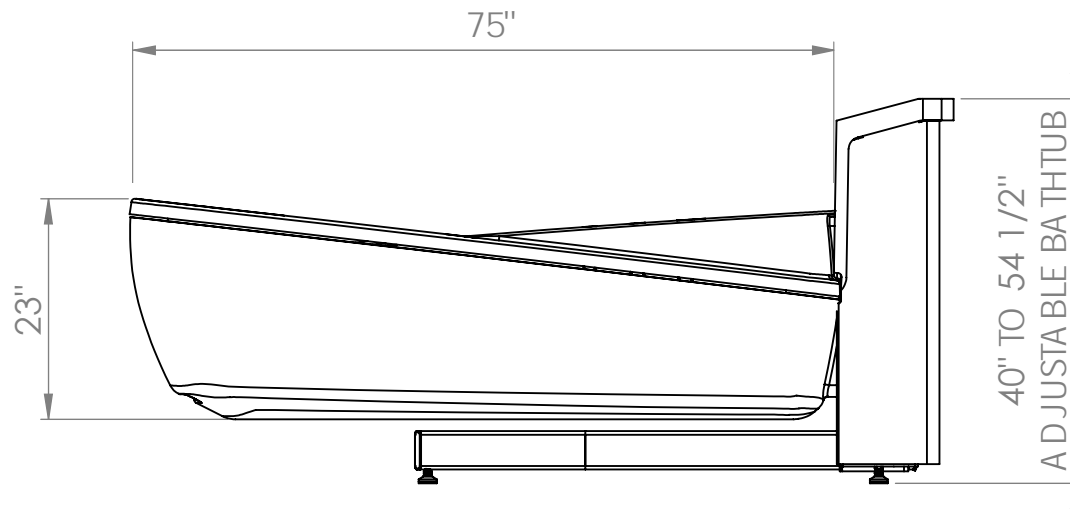
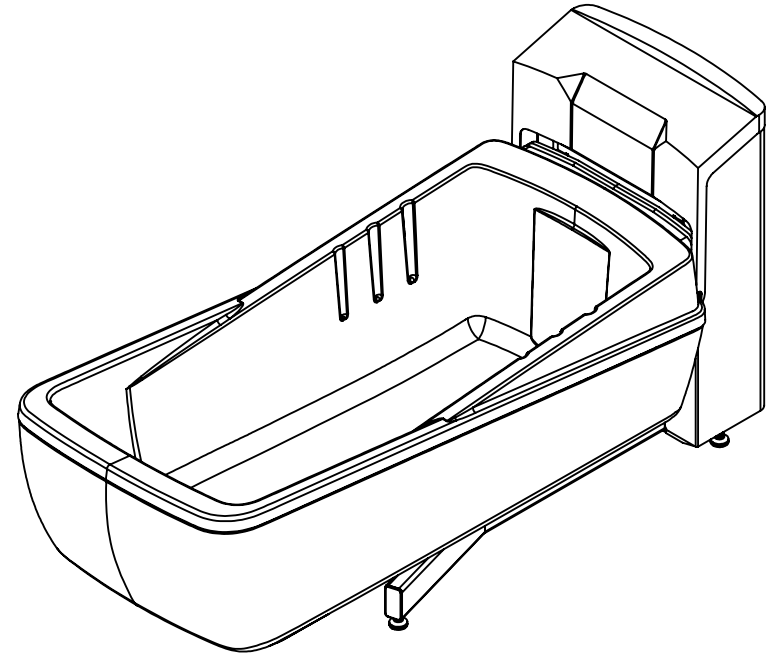
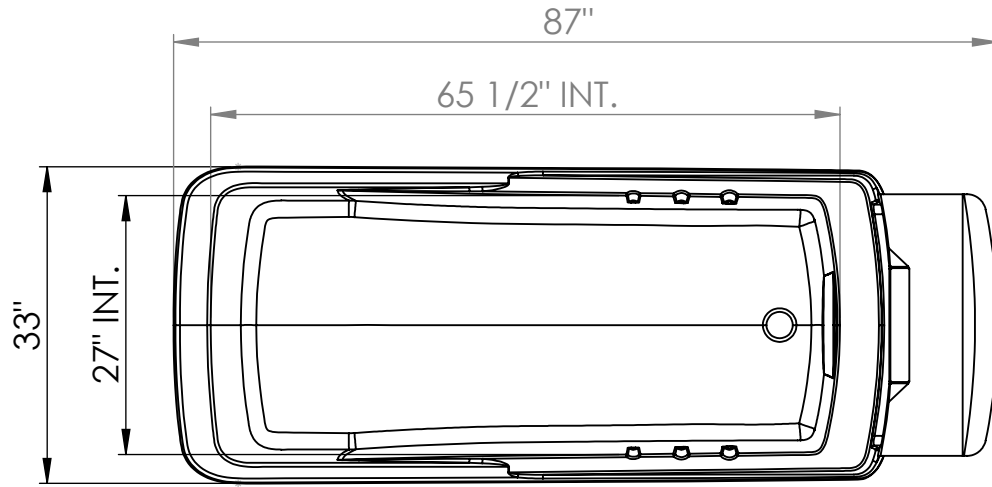
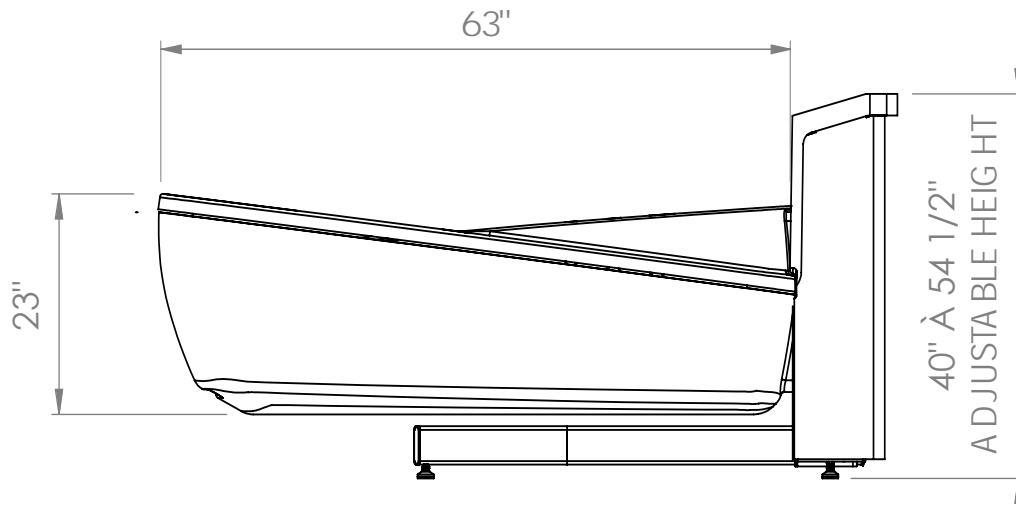
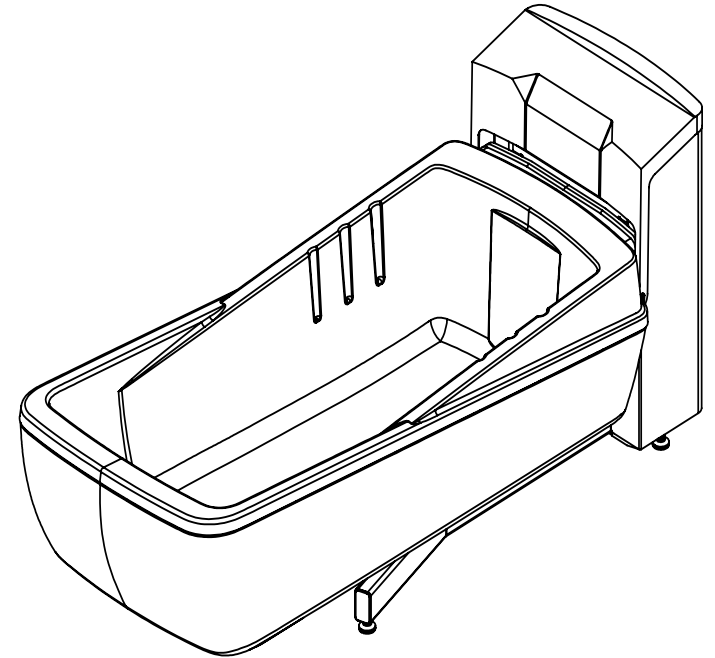
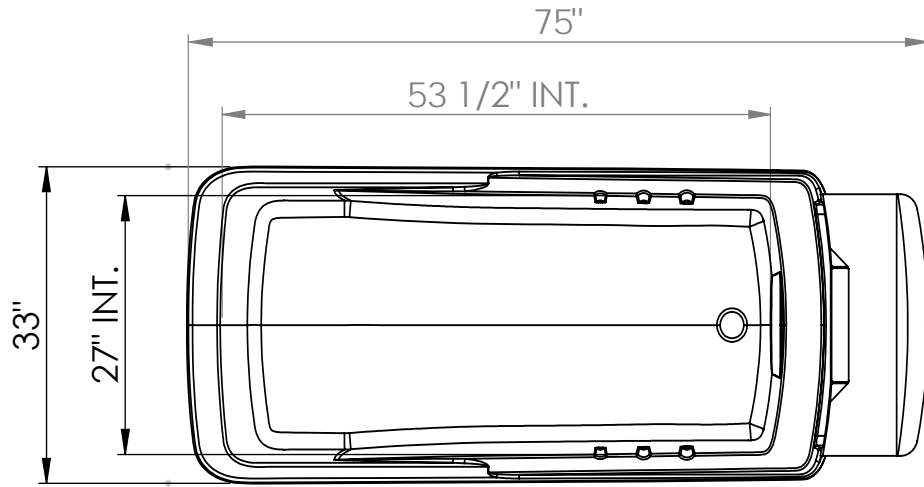


AUTHENTIQUE BATH TUB - RECTANGULAR  
LONG SHELL SCHEMATIC - STRAIGHT SHAPE



**NOTE:** INTERNAL AND EXTERNAL DIMENSIONS ARE THE SAME FOR THE LONG RECLINED SHAPE SHELL.

AUTHENTIQUE BATH TUB - RECTANGULAR  
SHORT SHELL SCHEMATIC - STRAIGHT SHAPE



NOTE: INTERNAL AND EXTERNAL DIMENSIONS ARE THE SAME FOR THE SHORT RECLINED SHAPE SHELL.

**ADJUSTABLE HEIGHT BATHTUB  
Authentique**  
Pre-installation requirements



**This document must be completed and returned to ComfortMedic before installation**

Please read carefully before checking boxes and signing this document

**Plumbing**

Hot and cold water connections are installed. They each have a 1/2 NPT threaded fitting with a valve. ....   
 Hot and cold water connections are installed at 24" from floor (*Otherwise, please specify: \_\_\_\_\_ inches*) .....   
 The floor drain (min. 2" wide diameter) is ready .....   
*\*If the building already has a drain installed in the wall, please specify the drain height from floor: \_\_\_\_\_ inches*

**Electricity**

An electrical outlet of 120 volts, 15 amperes (Ground Fault Interrupter (GFI)) is available and installed at least at 14 inches from floor. (*Otherwise, please specify: \_\_\_\_\_ inches*) .....

**Floor conditions**

The floor is ready and completely free around the bathtub location .....   
 The floor is made of cement or similar material (*Otherwise, please specify: \_\_\_\_\_*) .....   
 Is the floor equipped with an heating system? ..... OUI  NON   
*\*\*If the answer is yes, please contact ComfortMedic prior to installation.*

**Wall conditions**

Plumbing and electricity works are done, wall is fully painted\*\*\* and completely free from floor to 70 inches high. ....

**Accessibility**

It is not necessary to use stairs to access the room where the bathtub will be installed. ....   
 or  
 It is necessary to use stairs or other hard to access area to bring the tub in the room, however special arrangements have been made with ComfortMedic to assist the technician during installation. ....   
 The hallways are at least 8 feet wide (*Otherwise, please specify hallway width: \_\_\_\_\_ feet*) .....   
 All doors are at least 36 inches wide (*Otherwise, please specify door width: \_\_\_\_\_ feet*) .....   
 The building has a loading dock to unload the bathtub\*\*\*\* ..... OUI  NON   
*\*\*\*\* If yes, please specify loading dock height \_\_\_\_\_ feet*

*\*If possible, attach pictures showing the installation space.*

**IMPORTANT!**

**We confirm that hot and cold water connections, drain, electricity and hot water are all complying with the requirements of this document and they will all be available for installation.**

**We understand that extra cost will apply if the technician has to wait until the above mentioned requirements are not completed. We understand that extra cost will also apply if a second visit is necessary for the technician to complete installation, because some requirements were not ready.**

**Name (printed):** \_\_\_\_\_ **Date:** \_\_\_\_\_

**Signature:** \_\_\_\_\_ **Purchase order:** \_\_\_\_\_

**Installation address:** \_\_\_\_\_

**Residence name:** \_\_\_\_\_